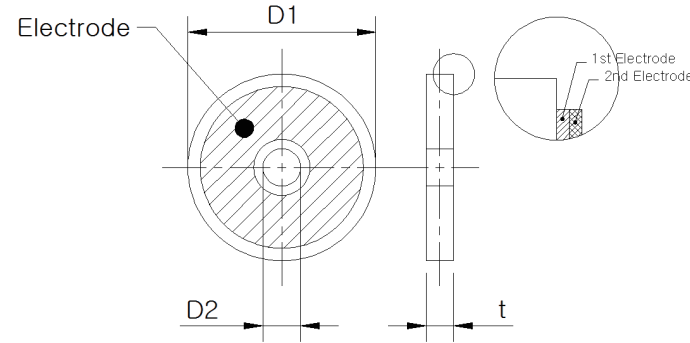


PTC thermistors as heating elements

Metallized round disks

Home Appliances

- 멀티슈 데우미 히터
- 욕실 급탕기 데우미용 히터
- 광통신 케이블 정온 발열 히터



Symbols and terms

R_{25}	Resistance at 25°C
R_b	Resistance switching temperature
T_b	Switching temperature
T_{sf}	Final surface temperature
V_R	Rated voltage
V_{max}	Maximum operating voltage
I_{max}	Maximum current
$I_{in p}$	Peak inrush current
I_{res}	Residual current
V_w	Withstanding voltage

Part no. (Logo : HP)	온도	상온저항	외관 규격		전극		두께	사용전압			전기적 특성			Part no. (Logo : SYP)
	T_b	R_{25}	L	W	1st	2nd	t	V_R	V_{max}	V_{WS}	I_{in}	I_{res}	T_s	
	[°C]	[Ω]	[mm]	[mm]	-	-	[mm]	[V]	[V]	[V]	[Max. A]	[mA]	[°C]	
HP HE 05 551 S R 17 R2 Z 27 A	50	550 ±50%	17.2 ±0.3	4.7 ±0.2	Ag/Zn		2.65 ±0.2	100	125	400	1.5	10 ±30%	50 ±10	SYP HE 05 551 S R 17 R2 - O 27
HP HE 05 551 S R 17 R2 Z 27 A	50	550 ±50%	17.2 ±0.3	4.7 ±0.2	Ag/Zn		2.65 ±0.2	220	265	400	2.5	7 ±30%	50 ±10	SYP HE 05 551 S R 17 R2 - O 27
HP HE 07 551 S R 17 R2 Z 27 A	70	550 ±50%	17.2 ±0.3	4.7 ±0.2	Ag/Zn		2.65 ±0.2	100	125	400	1.5	12 ±30%	70 ±10	SYP HE 07 551 S R 17 R2 - O 27
HP HE 08 551 S R 17 R2 Z 27 A	80	550 ±50%	17.2 ±0.3	4.7 ±0.2	Ag/Zn		2.65 ±0.2	100	125	400	1.5	13 ±30%	80 ±10	SYP HE 08 551 S R 17 R2 - O 27
HP HJ 09 100 S R 05 R6 A 10 A	90	10.0 ±20%	5.56 ±0.2	2.3 ±0.1	Ag/Zn	Ag	1.00 ±0.1	6.0	8.0	50	1.5	250 ±30%	-	SYP HE 09 100 S R 05 R6 - A 10